

# Overbed Table

Stable  
Angle-adjustable table surface  
High pressure washable



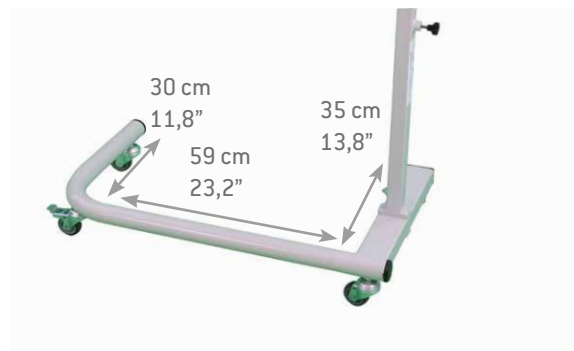
Human Care's angle-adjustable overbed table works perfectly for users who need support to facilitate, for example, reading or eating from a wheelchair, armchair or bed.

The table top is made of hygienic ABS plastic material and has a tilt function from -40 degrees to +40 degrees. The table top has smooth edges that prevent items from sliding or falling off. The table has four wheels, two of which have brakes. The undercarriage is stable and wide, with plenty of space to be easily placed next to the user.



## Product specification

Product name	Art. nr.	Wheel diameter	Material	Table top length	Table top width	Safe working load
Overbed Table	K058PTS	5 cm / 2"	ABS-belagt plastmaterial	82 cm / 32,3"	38 cm / 15"	20 kg / 44,1 lbs



**Kenmak**  
part of the Human Care Group

Human Care AB is a distributor of Kenmak products