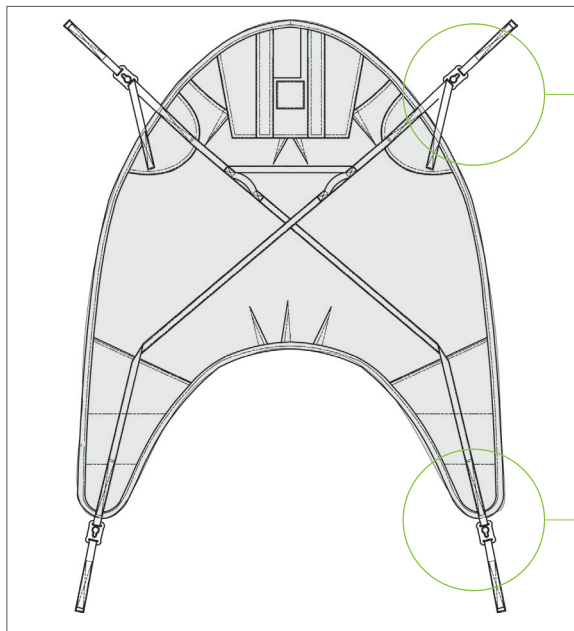




Fitting Protocol

General Purpose Sling
Models NSB-104C, NSB-105



- Green Strap
- Yellow Strap
- Red Strap

Extension Loops

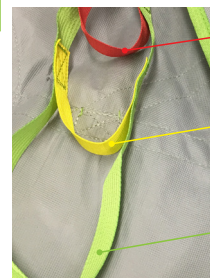
- 21180-10 (10cm/3.9")
- 21180-15 (15cm/5.9")
- 21180-20 (20cm/7.8")
- 21180-25 (25cm/9.8")
- 21180-35 (35cm/13.7")

- Green Strap
- Yellow Strap
- Red Strap

Extension Loops

- 21180-10 (10cm/3.9")
- 21180-15 (15cm/5.9")
- 21180-20 (20cm/7.8")
- 21180-25 (25cm/9.8")
- 21180-35 (35cm/13.7")

Choose the loop combination that will give the most comfortable and safe suspension angle, keeping in mind the patient's ability to support themselves.



Red Strap
Upright Position
Least hip angle

Yellow Strap
Semi-Recumbant
Mid-hip angle

Green Strap
Increased Recline
Less hip flex and greatest angle

Match colours on both sides of the patient for a 90 degree angle in the hips.

Maximum User Weight: 318kg/700lb

- Model NSB-104C (clips)**
- Model NSB-105 (loop straps)**

Transfer Situation:

- To/From a Bed
- To/From a Chair
- To/From the Floor

Available sizes:

- S**
- M**
- L**
- XL**
- Indicate size required

Leg Placement:

- Divided relaxed position
- Open position
- Divided position
- Closed position

Suspension:

- 2-Point
- 4-Point
- 3-Point
- ESB

Accessories required:



- 21146 Leg Padding - Small
- 21146 Leg Padding - Medium
- 21146 Leg Padding - Large



- 25102 Reinforced Leg Support - One Size

Patient Information:

Name	
Facility	Room
Lift Used	Hanger Bar Used

HUMAN CARE SWEDEN (HQ)

Årstaängsvägen 21B
117 43 Stockholm
Phone: +46 8 665 35 00
Fax: +46 8 665 35 10
info.se@humancaregroup.com

HUMAN CARE AUSTRALIA

Unit 4, 49 Bertie Street
Port Melbourne, VIC 3207
Phone : +61 1300 132 736
Fax : + 61 (03) 9645 4954
info.au@humancaregroup.com

HUMAN CARE CANADA

10-155 Colonnade Road
Ottawa, ON K2E 7K1
Phone: +613.723.6734
Fax: +613.723.1058
info.ca@humancaregroup.com

HUMAN CARE NEDERLAND

Elsperweg 124
8076 PA Vierhouten
Phone: +31 577 412 171
Fax: +31 577 412 170
info.nl@humancaregroup.com

HUMAN CARE UNITED STATES

8006 Cameron Road, Suite K
Austin, TX 78754
Phone: +512.476.7199
Fax: +512.476.7190
info.us@humancaregroup.com

The General Purpose Sling is a medium back model with divided leg parts. It has an easy fit with built-in flexibility to achieve proper leg and body positioning for patients with some upper body control. The nonproprietary strap attachments are suitable for use on ceiling or floor lift suspensions designed for strap and-loop slings. The clips easily attach to an electronic spreader bar. These slings are single patient use models and must only be used by a single patient at a time. Unlike some single patient use slings, these slings can be left under the patient since they wick away fluids and since they are single patient use, as an added benefit, they assist with infection control.

Additional Instructions

To staff/caregiver:

To patient:

Fitting Protocol Completed by:

Name	
Date	Position/Title



Important! This fitting protocol does not replace the user manual. Read all instructions before use!

Additional Documentation

Can be found on our website at www.humancaregroup.com/product-category/slings



Quick Reference Guide



User Manual



Sling Care Instructions



Sling Inspection Form