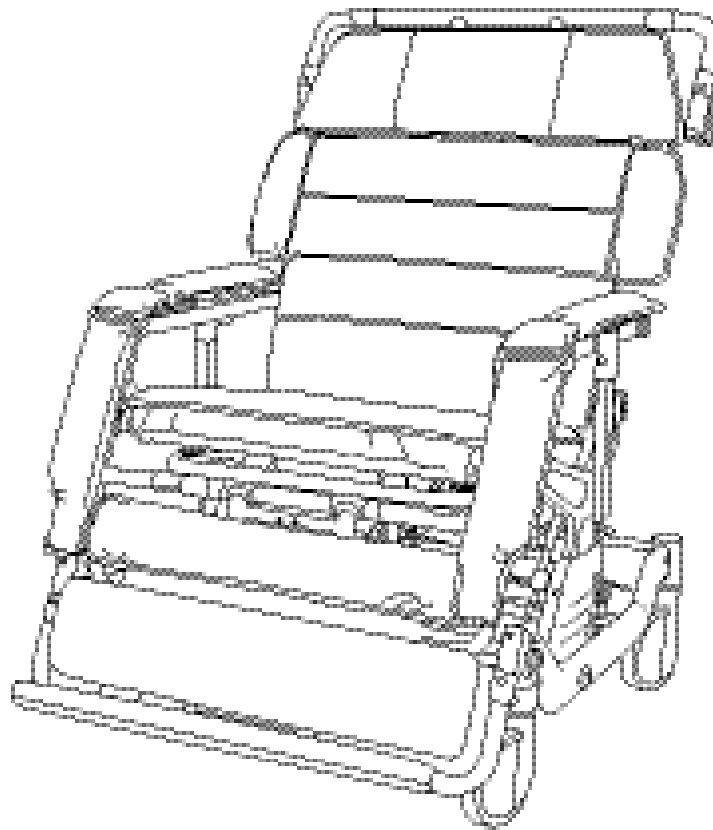




HUMAN CARE

Your Life. Your Way.



Service Manual

Barton I Series Convertible Chair

I-400 Model no. B1041-TS-GEL

I-700 Model no. B1071-TS-GEL



Contents

Care and Maintenance	4
Required Tools	4
Service Checklist	4
Maintenance Checklist	4
Maintenance Parts	4
Casters	5
Frame	6
Mechanical	6
Cushions	7
PTS System	7
Inspection Checklist	8
Replacement Parts	9

Service Manual

Care and Maintenance

⚠ Refer to the product user manual 99601 for complete care instructions. Gloves and protective clothing should always be worn when carrying out cleaning procedures in accordance with facility guidelines.

This product should always be cleaned regularly, prior to usage by a new patient, and when used by a patient known or suspected of having an infection.

Required Tools

The following tools may be required to perform service outlined in this guide:



Metric Allen Wrench Set



Adjustable Wrench



Metric Open-End Wrench Set



Slotted Screwdriver



Phillips Screwdriver



Loctite 638



Light Mineral Based Grease

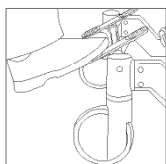


FDA approved lubricant

⚠ Service must only be performed by authorized and trained personnel.

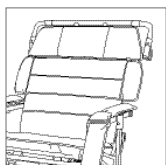
Service Checklist

The following components must be checked:



Casters

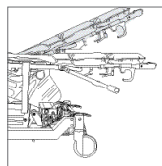
1. Caster operation
2. Caster pedal clearance
3. Pedal linkages
4. Visual check
5. Replacement and Adjustment



Frame

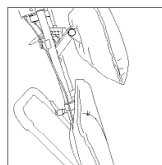
1. Lever operation
2. Armrest operation
3. Footrest operation
4. Chair brackets
5. Visual check

Service Checklist (continued)



Mechanical

1. Mechanical locking cylinder
2. Securing hardware and components
3. Visual check



Cushions

1. Replacement and Adjustment
2. Securing hardware and components
3. Visual check



PTS System (if applicable)

1. Transfer bar
2. Securing hardware and components
3. Visual check

Maintenance Checklist

Records should be kept of all maintenance and service checks performed on the unit.

Daily Checks	Monthly Checks	Annual Checks
Caster operation	Inspection Checklist	Locking cylinder
Hardware secure		Review daily checks
Cushions secure		Review monthly checks
Visual check		
Cleaning		

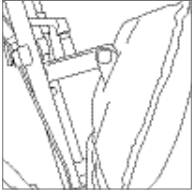
Maintenance Parts

Use only Human Care parts for maintenance and service of this product. This guide includes a list of available parts (see: Replacement Parts). Whenever a recommended replacement is indicated, refer to this list.

Cushions

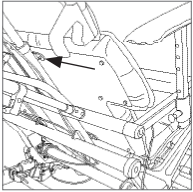
1. Replacement and Adjustment

Ensure that all cushions are operating as intended and are not damaged or missing components. Replace if necessary.



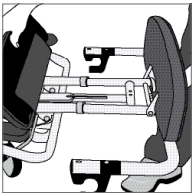
Head and Body Cushion Adjustment

Ensure that the levers for the head cushion are functioning to allow for height, depth and angle adjustment. Ensure that the cushions are secure and undamaged and that the spacers are present on the back frame where the cushion rests.



Head and Body Cushion Replacement

Both the head and body cushions are affixed to the frame with screws. From the rear of the cushion, untighten the screws to remove.



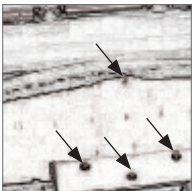
Footrest Adjustment

The footrest is comprised of two pieces, one of which lays on the other unless the footrest is extended. The lower cushion may be replaced if damaged.



Footrest Replacement

In order to replace a damaged footrest cushion, you must first pry loose the black plastic top plate with a flat edge screwdriver. Set the top plate aside to be re-used and remove the five black fasteners.



Once the black top plate is removed, you will have access to the screws securing the cushion. Remove five screws surrounding the perimeter of the cushion, followed by the three screws securing the footrest to the bottom plate. Once all screws are removed, the footrest is released and can be replaced.

2. Securing hardware and components

Ensure that spacers are present and undamaged on the front cushion. Check all screws to ensure that they are holding the cushions firmly in place. If the screws rotate when tested, they must be replaced. Take extra care not to strip and screws.

3. Visual check

Visually check the cushions for tears or damage. Clean or replace as necessary.

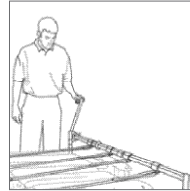
PTS System



There are two versions of the PTS system for the I-400 (one for home care use and one for hospital use) and one for the I-700. Take care to use the correct PTS system for each chair.

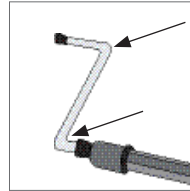
1. Transfer Bar

If the chair is equipped with a Patient Transfer System, the system must be checked.



Crank Handle

Check the crank handle for any damage and confirm functionality. The handle should turn freely.

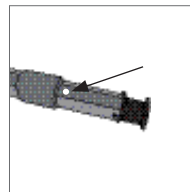


Lubrication Points

Lubricate the crank handle joints with an FDA approved grease. Lubricate the "O" ring (located in the plastic piece at the end of the transfer bar that rests in the bracket).

2. Securing hardware and components

Ensure that all screws are present and secure in the transfer bar.



Locking Button

The transfer bar features a silver locking button that must be checked to ensure it is secure and operating correctly. The lock button ensures that the transfer bar remains in the correct length when adjusted.

3. Visual check

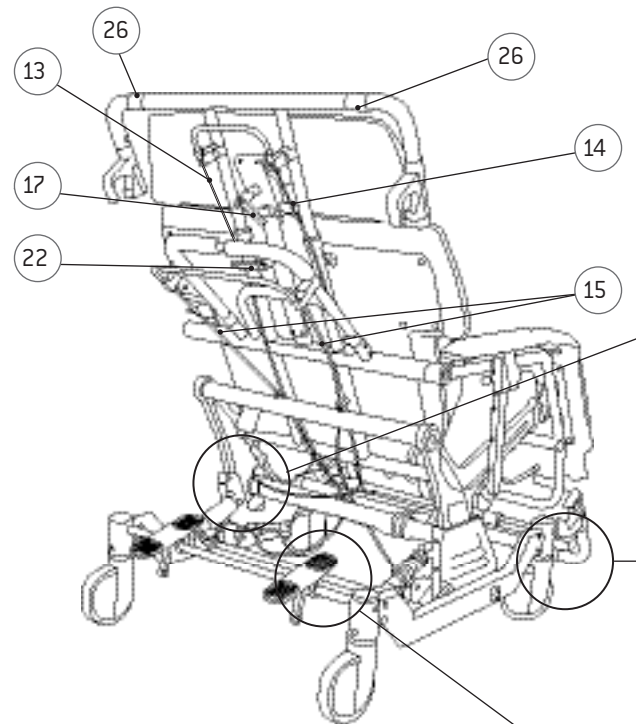
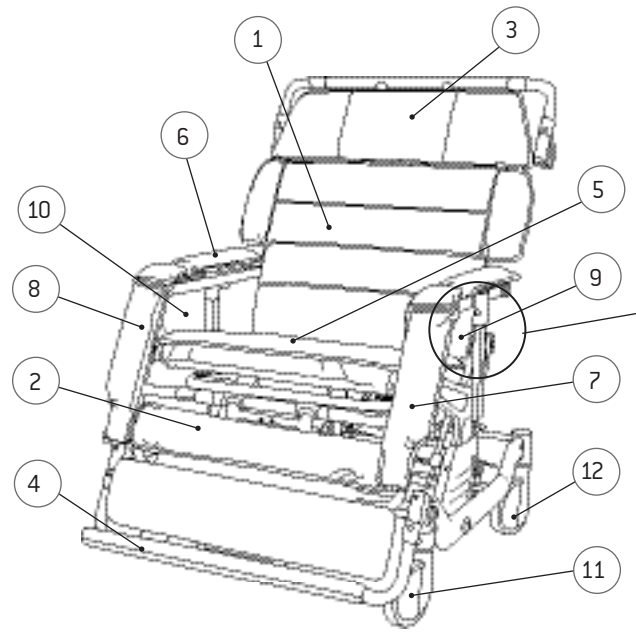
Visually check the transfer bar for damage or loose screws. Check the transfer bar straps and the transfer sheets to ensure that they are not frayed or damaged in any way. Do not use if any components are damaged or missing before replacing parts.

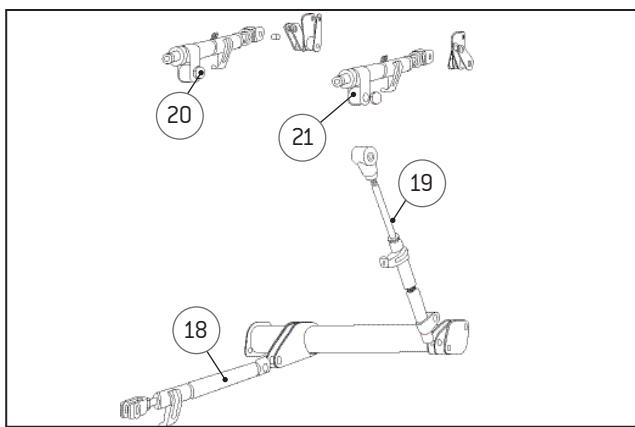
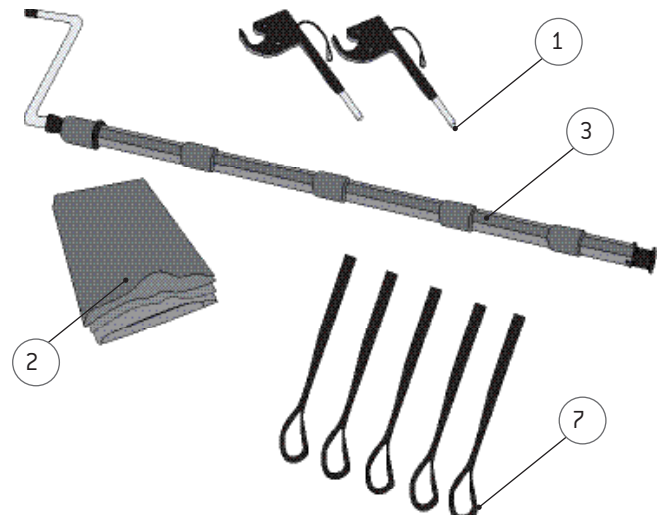
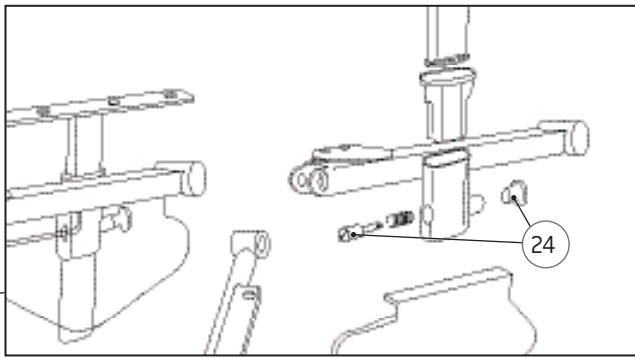
Inspection Checklist

Final Inspeccion and Test Check Record				Prepared by
Model	I-400	Serial Number		
	I-700			
Date		Location		
Casters		Good	Unacceptable	Additional Comments
Checked for caster lock function				
Checked for caster free function				
Checked two front casters swivel locked at 0° and 180°				
Checked clearance between foot pedal and cross rail				
Checked brake pedal linkages				
Firm and secure fitting				
Damage to casters or caster mounting				
Frame				
Checked for weld defects				
Checked for bent/damaged components				
Checked side screens				
Locking Cylinders				
Brass fitting secure				
Clearance 2mm to 6mm				
Release lever free to move				
Linkage head operation				
Head of release linkage is secure				
Upper and Lower Bracket Arms				
Checked for security				
Checked rotation in both axis and all positions				
Safety Arms				
Checked safety arms for freedom of movement				
Checked locking knob engages in each position				
Checked that end stop screw is present and secure				
Cushions				
Checked that all cushions are secure and undamaged				
Checked that all spacers are present on the seat cushion				
Checked the head cushion locking handle security and operation				
Checked the head cushion height adjuster security and operation				
Checked that all the buffers are present				
Checked that all footrest retention buttons are present and secure				
Checked the footrest cushion				

Replacement Parts

Part No.	Description	Unit of Measure	
Cushions			
1	t4002-117 t4007-117	Back Cushion, I-400 Back Cushion, I-700	EA
2	t4004-117 t4008-117	Calf Cushion, I-400 Calf Cushion, I-700	EA
3	t4006-117 t4010-117	Head w/Support, I-400 Head w/Support, I-700	EA
4	t4042-117 t4043-117	Footrest Assembly, I-400 Footrest Assembly, I-700	EA
5	t4055-117 t4311-117	Seat Cushion, I-400 Seat Cushion, I-700	EA
6	t4506-117	Armrest, Upper	EA
7	t4507-117	Armrest, Lower, Left	EA
8	t4508-117	Armrest, Lower, Right	EA
Casters and Side Shields			
9	t4510	Side Shield - Left	EA
10	t4509	Side Shield - Right	EA
11	I-b10x2-8049	Front Caster - 3 Position	EA
12	I-b10x2-8050	Rear Caster - 2 Position	EA
Parts			
13	T4088	Cable Assembly, Left - Recline	EA
14	T4089	Cable Assembly, Right - Recline	EA
15	T4093	Cable Assembly, Right - Tilt	EA
16	tb501a	Bracket Assembly, Rotation	EA
17	T4512	Plastic Headrest Handle	EA
18	I-b10n2-8041	Locking Cylinder - Right	EA
19	I-b10n2-8043	Locking Cylinder - Left	EA
20	I-b10n2-8044	Locking Cylinder Tilt - Right	EA
21	I-b10n2-8045	Locking Cylinder Tilt - Left	EA
22	tn7005	Plastic Handle - Adj. Head/Foot	EA
23	b1109-1	Belt, Quick Release	EA
24	T4097	Plunger, Index Armrest	EA
25	TN8010	Rod Attachment, Footrest	EA
26	T4037	Guard, Chair Bracket	EA
27	T4502	Bracket Arm, Rotation, Lower	EA
28	TN8005	Rail Slide, Head/Footrest	EA
29	TN8020	Brake Pedal	EA
30	I-b1052-8064 I-b1062-8065	Brake Assembly I400 Brake Assembly I1700	EA

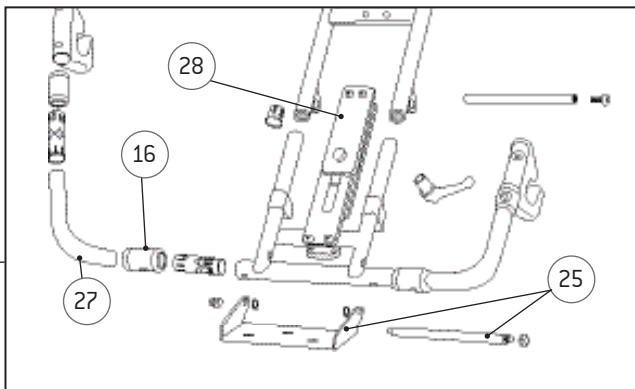




Patient Transfer System I-400

Part No.	Description	Unit of Measure
1	b1028 14" Post Bed, Standard	EA
2	b1031-10 Mattress Cover, Non-Slip	EA
3	b1056 Transfer Bar, Standard	EA
4	b1079 Sheet Clip, Plastic	EA
5	b1080 Plastic Plug, Black	EA
6	b1190 Extruded Bed Clamp Assembly	EA
7	b1073 Transfer Strap, Grey 58"	EA

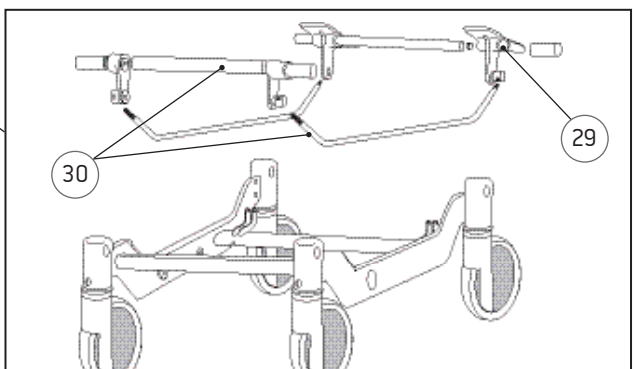
Complete system : Model no.b2001c (home care use)



Patient Transfer System I-400

Part No.	Description	Unit of Measure
1	b1048 Bracket Bed	EA
2	b1410 Transfer Sheet	EA
3	b1056 Transfer Bar, Standard	EA
7	b1073 Transfer Strap, Grey 58"	EA

Complete system : Model no. b2011a (hospital use)



Patient Transfer System I-700

Part No.	Description	Unit of Measure
1	b1048 Bracket Bed	EA
2	b1420 Bariatric Transfer Sheet - Reusable	EA
3	b1057 Transfer Bar, I-700	EA
7	b1073 Transfer Strap, Grey 58"	EA

Complete system : Model no. b2013a (hospital use)

Patient Transfer System I-700

Part No.	Description	Unit of Measure
1	b1028 Post, Bed 14" Standard	EA
2	b1420 Bariatric Transfer Sheet - Reusable	EA
3	b1057 Transfer Bar, I-700	EA
6	b1190 Extruded Bed Clamp Assembly	EA
7	b1073 Transfer Strap, Grey 58"	EA

Complete system : Model no.b2020c (home care use)

HUMAN CARE SWEDEN (HQ)

Årstaängsvägen 21B

117 43 Stockholm

Phone:- +46 8 665 35 00

Fax:- +46 8 665 35 10

Email: info.se@humancaregroup.com

HUMAN CARE CANADA

10-155 Colonnade Road

Ottawa, ON K2E 7K1

Phone:- 613.723.6734

Fax:- 613.723.1058

Email: info.ca@humancaregroup.com

HUMAN CARE UNITED STATES

8006 Cameron Street, Suite K

Austin, TX 78754 USA

Phone: 512.476.7199

Fax: 512.476.7190

Email: info.us@humancaregroup.com

HUMAN CARE NEDERLAND

Elspeterweg 124

8076 PA Vierhouten

Phone: +31 577 412 171

Fax: +31 577 412 170

Email: info.nl@humancaregroup.com

www.humancaregroup.com



CE

